

# 315W CERAMIC METAL HALIDE GROW LIGHT(CMH)



**315W-2  
315W-2A**



**315W-8**

**Application:**  
Greenhouses, Climate houses etc.

## Product Introduction

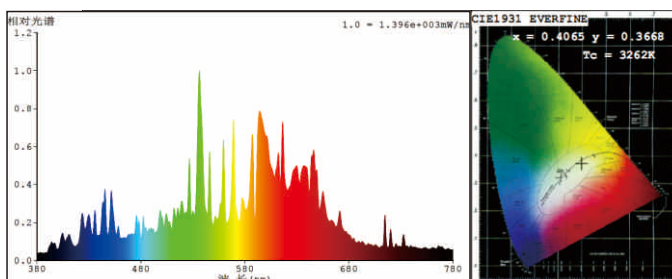
- The whole set of luminaire consist of lamp, ballast and fixture.
- The voltage of ballast is optional and meets the standard of different market
- The wattage of light is adjustable by the button of the ballast.
- The blue light output boost the growth of leaves of plant.
- 3 years warranty
- With ETL and CETL listed

## Note:

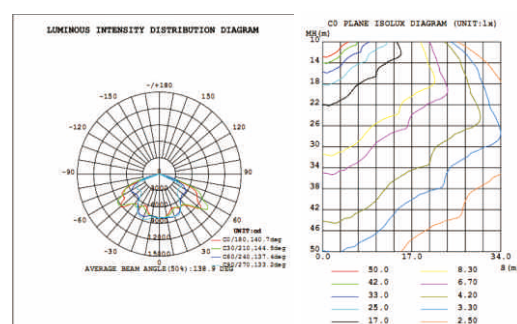
Disconnect the product from mains before performing any maintenance or repairment.  
Wait 20 mins before activating the fixture after maintenance or repairment  
Do not touch the lamp with bare hands  
Check the wiring of the products regularly to ensure the product works safely.



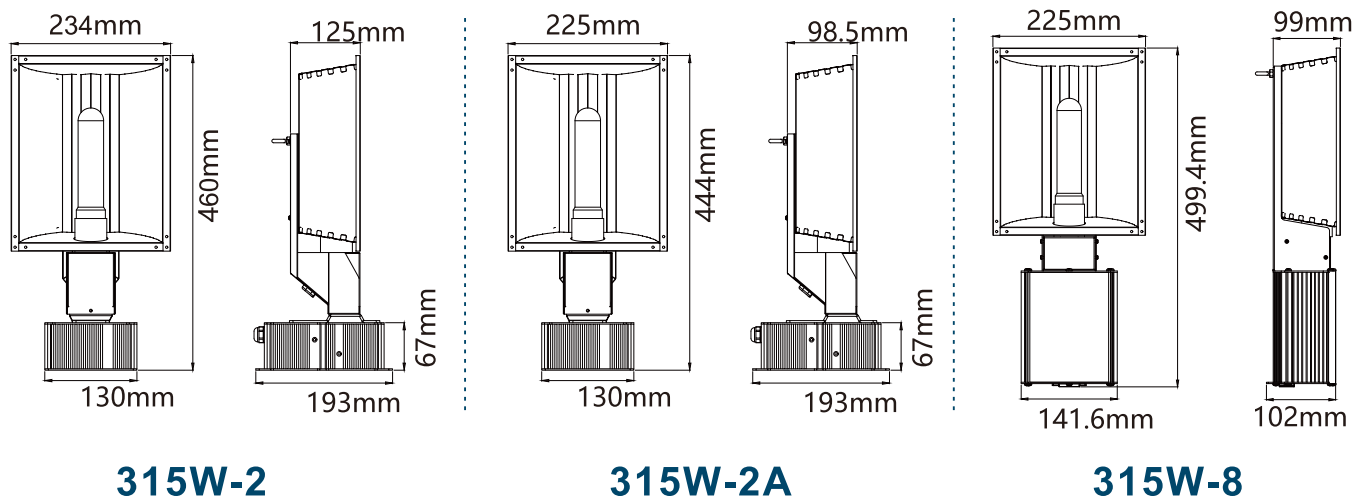
## Spectral Distribution



## Distribution Curve Flux



# 315W CERAMIC METAL HALIDE GROW LIGHT(CMH)



## Dimension(Note: Error limit± 2)

Description	Reflector L*W*H(mm):	Packaging L*W*H(mm):	G.W. (Kg)
315W CMH-2	234*305*115	500*270*260	4.80
315W CMH-2A	225*275*90	480*280*250	3.90
315W CMH-8	225*275*90	530*290*160	3.60

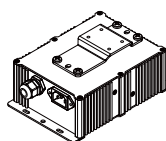
## Product Information and Specification



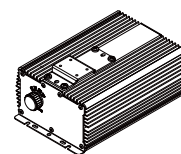
### 315WCMH Lamp

	315W CMH Lamp
Voltage [V]	100/115
Current [A]	1.55
Wattage [W]	315
Lumens(Whole luminaire) [lm]	38918
Power Factor	≥0.98
Bulb Type	PGZ18
CCT [K]	3000K/4000K
CRI [Ra]	90
Rated Frequency [HZ]	50/60
PPFD [Umol/s/w]	1.68
PRF [mw]	111750
Peak Wavelength [nm]	536
Average Life [hrs]	12000

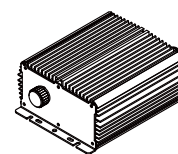
### 315W-2 315W-2A



### 315W-5



### 315W-6



### 315W-2(A)/315W-5/315W-6 Ballast

Input Voltage [V]	120-240/220-277
Input Frequency [HZ]	50/60
Input Power Factor	≥0.98
THD [%]	≤10
Wave Crest Ratio	≤1.7
Starting Time [S]	5 Max
Pulse Voltage [KV]	4-5
Output Rated Frequency [KHZ]	110
Open Circuit Voltage [V]	≤440
Efficiency [%]	≥92%